



LM-79
LM-80

IP66
IK08



CE CB

RoHS
Compliant

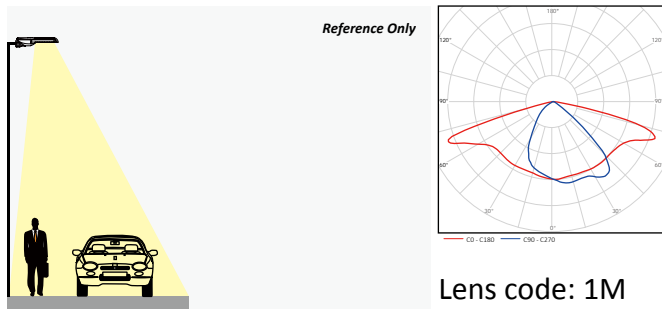


5 YEAR
WARRANTY

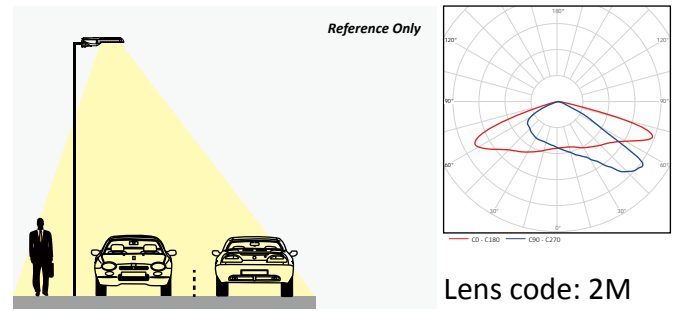
LED STREET LIGHTS



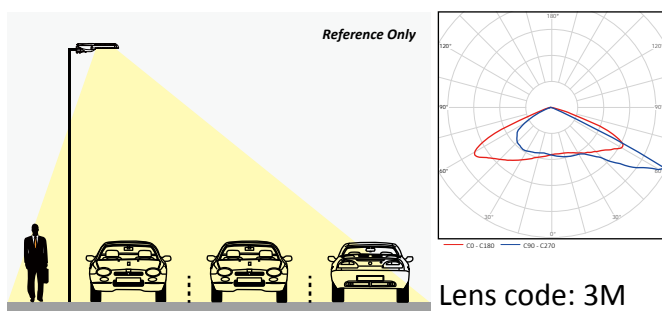
Optics



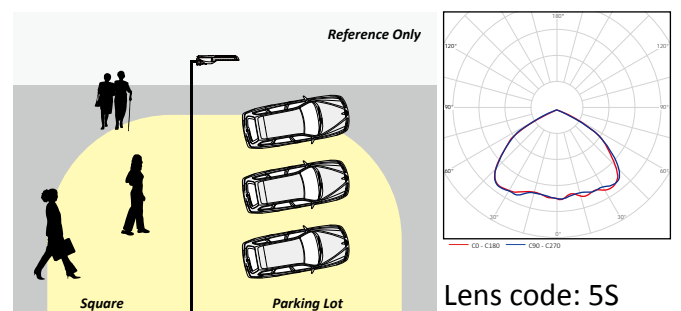
Applications:
Single Driveway | Walkway /Cycleway | Branch Road



Applications:
Two Driveway | Driveway Entrance | Urban Road



Applications:
Three Driveway | Highway | Parking Lot /Area



Applications:
Parking Lot | Square | Area



Professional lens design, suitable for various applications.



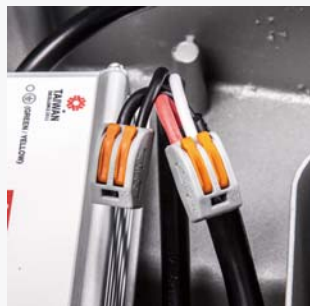
Luminaire body is fixed by two M8x16 fortified stainless steel screws.



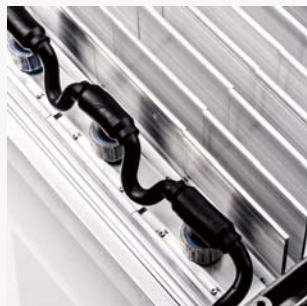
Rational clamshell design for wiring compartment, sturdy and durable.



Use stainless steel screws for whole luminaire, no corrosion worries.



Use German **WAGO** connectors for output wiring, safe, convenient & fast.



Innovative pluggable connector, clean & efficient.



UL standard connection.



Full aluminum made, sufficient heat dissipation area.

DETAILED FEATURES





- for Roads, Ecuador



- for Squares, UAE



- with Solar Power, France



- for Parking Lots, United Kingdom



- for Outdoor Warehouses, Austria



- for Wall Mounting, Sweden

SERIES-H

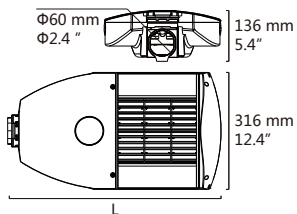
LED STREET LIGHTS

PRODUCT CATALOG



Product	LD35H	LD65H	LD100H	LD135H	LD165H	LD200H	LD230H
Nominal Wattage	35W	65W	100W	135W	165W	200W	230W
Drive Current	750 mA	750 mA	750 mA	750 mA	750 mA	750 mA	750 mA
Number of Modules	1	2	3	4	5	6	7
Input Voltage	100-240V /277V AC 50/60Hz	100-240V /277V AC 50/60Hz	100-240V /277V AC 50/60Hz	100-240V /277V AC 50/60Hz	100-240V /277V AC 50/60Hz	100-240V /277V AC 50/60Hz	100-240V /277V AC 50/60Hz
Max. Current @ 120V	0.36 A	0.67 A	1.03 A	1.39 A	1.70 A	2.06 A	2.37 A
Max. Current @ 208V	0.21 A	0.39 A	0.59 A	0.80 A	0.98 A	1.19 A	1.37 A
Max. Current @ 240V	0.18 A	0.33 A	0.51 A	0.69 A	0.85 A	1.03 A	1.18 A
Max. Current @ 277V	0.16 A	0.29 A	0.45 A	0.60 A	0.74 A	0.89 A	1.03 A
Operating Temperature	-40 °C to +50 °C	-40 °C to +50 °C	-40 °C to +50 °C	-40 °C to +50 °C	-40 °C to +50 °C	-40 °C to +50 °C	-40 °C to +50 °C
Power Factor (PF)	> 0.95	> 0.95	> 0.95	> 0.95	> 0.95	> 0.95	> 0.95
Total Harmonic Distortion (THD)	< 20%	< 20%	< 20%	< 20%	< 20%	< 20%	< 20%
Lumen Output (+/- 5%)	3850 lm	7150 lm	11000 lm	14850 lm	18150 lm	22000 lm	25300 lm
Optic	1M, 2M, 3M, 5S	1M, 2M, 3M, 5S	1M, 2M, 3M, 5S	1M, 2M, 3M, 5S	1M, 2M, 3M, 5S	1M, 2M, 3M, 5S	1M, 2M, 3M, 5S
CRI	Minimum 70 CRI	Minimum 70 CRI	Minimum 70 CRI	Minimum 70 CRI	Minimum 70 CRI	Minimum 70 CRI	Minimum 70 CRI
CCT	3000K 4000K 5000K 5700K	3000K 4000K 5000K 5700K	3000K 4000K 5000K 5700K	3000K 4000K 5000K 5700K	3000K 4000K 5000K 5700K	3000K 4000K 5000K 5700K	3000K 4000K 5000K 5700K
Rating	IP66, IK08	IP66, IK08	IP66, IK08	IP66, IK08	IP66, IK08	IP66, IK08	IP66, IK08
Heat Radiator	Anodized Aluminum	Anodized Aluminum	Anodized Aluminum	Anodized Aluminum	Anodized Aluminum	Anodized Aluminum	Anodized Aluminum
Lens	PC (UV resistance)	PC (UV resistance)	PC (UV resistance)	PC (UV resistance)	PC (UV resistance)	PC (UV resistance)	PC (UV resistance)
Packaging Type	1 unit /ctn.	1 unit /ctn.	1 unit /ctn.	1 unit /ctn.	1 unit /ctn.	1 unit /ctn.	1 unit /ctn.

DIMENSION DATA



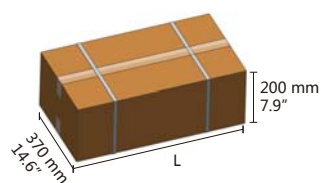
Number of Modules	1	2	3	4	5	6	7
"L" Length	431 mm 17.0"	504 mm 19.8"	577 mm 22.7"	650 mm 25.6"	723 mm 28.5"	796 mm 31.3"	869 mm 34.2"
Weight	5.3 kg 11.7 lbs.	6.1 kg 13.4 lbs.	7.3 kg 16.1 lbs.	8.2 kg 18.1 lbs.	9.0 kg 19.8 lbs.	9.9 kg 21.8 lbs.	10.8 kg 23.8 lbs.

LUMEN MAINTENANCE

Ambient Temperature	TM-21 Lumen Maintenance (60,000 Hours)	Theoretical L70 (Hours)
25 °C	96.56%	485,000
40 °C	97.67%	503,000
50 °C	95.72%	347,000

*Visit <http://zgsm-china.com/product/Lighting/category/street-lights/series-h/> for TM-21 Report

PACKAGING DATA




Number of Modules	1	2	3	4	5	6	7
"L" Length	480 mm 18.9"	555 mm 21.9"	630 mm 24.8"	705 mm 27.8"	780 mm 30.7"	855 mm 33.7"	930 mm 36.6"
Weight	6.3 kg 13.9 lbs.	7.3 kg 16.1 lbs.	8.6 kg 19.0 lbs.	9.6 kg 21.2 lbs.	10.6 kg 23.4 lbs.	11.6 kg 25.6 lbs.	12.6 kg 27.8 lbs.

DC INPUT VOLTAGE (OPTIONAL)

Model	Input Voltage	Max. Current
ZGSM-LD35H	12V/24V	3.24A @12V, 1.62A @24V
ZGSM-LD65H	24V	3.01A @24V
ZGSM-LD100H	24V	4.63A @24V

CERTIFICATION

 UL/cUL Wet Location Listed DesignLights Consortium® Qualified	LM79 / LM80 Compliant IP66 / IK08 Rated	CE / ROHS / GS / CB / SAA IOS9001, ISO14001
-----------------------------------------------------------------------------------------------------------------------------------------------------	--------------------------------------------	------------------------------------------------



Dimming

Dimming functions are supported by optional

† Three in One (1-10V DC or PWM Signal or Resistance)

† Output constant current level can be adjusted through out put cable by connecting a resistance or 1 ~ 10Vdc or 10V PWM signal between DIM+ and DIM-.

† Please DO NOT connect "DIM-" to "-V".

† Reference resistance value for output current adjustment (Typical)

Resistance value	10KΩ	20KΩ	30KΩ	40KΩ	50KΩ	60KΩ	70KΩ	80KΩ	90KΩ	100KΩ	OPEN
Percentage of rated current	10%	20%	30%	40%	50%	60%	70%	80%	90%	100%	95% ~ 108%

† 1-10V dimming function for output current adjustment (Typical)

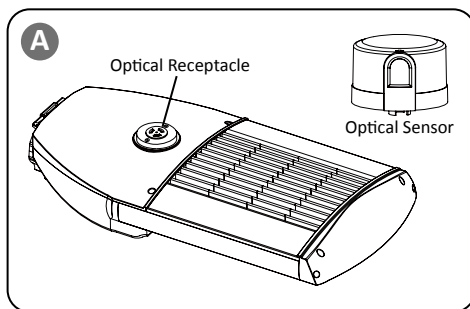
Dimming value	1V	2V	3V	4V	5V	6V	7V	8V	9V	10V	OPEN
Percentage of rated current	10%	20%	30%	40%	50%	60%	70%	80%	90%	100%	95% ~ 108%

† 10V PWM signal for output current adjustment (Typical): Frequency range: 100Hz ~ 3KHz

Resistance value	10%	20%	30%	40%	50%	60%	70%	80%	90%	100%	OPEN
Percentage of rated current	10%	20%	30%	40%	50%	60%	70%	80%	90%	100%	95% ~ 108%

Optical Control

Optical control function is supported by optional



If the fixture with OPTICAL CONTROL function, the Optical Receptacle will be installed on the cover of fixture. See **A**. Fit the pins of Optical Sensor to Optical Receptacle, firmly insert and rotate Optical Sensor to proper position.



Optical Sensor

Time Control Dimming

Time control dimming function is supported by optional - Contact ZGSM for Details

The product (LED lighting equipment, electrical, electronic equipment) should not be placed in municipal waste. Check local regulations for disposal of electronic products.

- Features and specifications are subject to change without notice.
- The product color may be different with actual due to discrepancy of camera or screen settings.